



Vane Pumps for Trucks



Vane pums General dimensions

DESCRIPTION

The BP pumps have been specially developed for using on truck, giving an excellent cost-service rate. Their principal characteristics are:

- Low noise level and reduced pressure pulsations.
- Reduced size, with standard flange for direct mounting on P.T.O.
- Large duration, due to the high quality materials and the adjusted hydrostaticly design, annulling the forces actuating on the shaft and the bearings.
- Quick and easy repairing included no-taking the pump from the truck, due to his interchangeable cartridge system.

TECHNICAL CHARACTERISTICS

Displacements:

BP03 serie

Available in six different displacements: 19, 24, 28, 34, 37 y 43 litres / minute at 1000 rpm.

BP04 serie

Available in seven different displacements: 15, 25, 39, 44, 54, 60 y 66 litres / minute at 1000 rpm.

Pressures:

BP03 serie Maximum pressure: 175 bar.

BP04 serie Maximum pressure: 210 bar., (Versions for 275 bar. available upon request)

Speeds:

Minimum speed: See the tables in the next pages. The showed speeds are given under inlet and oil-viscosity optimum conditions.

Maximum speed: 600 rpm.

Rotating sense:

It can be modified changing the position of ring, rotor and vanes.

Oil:

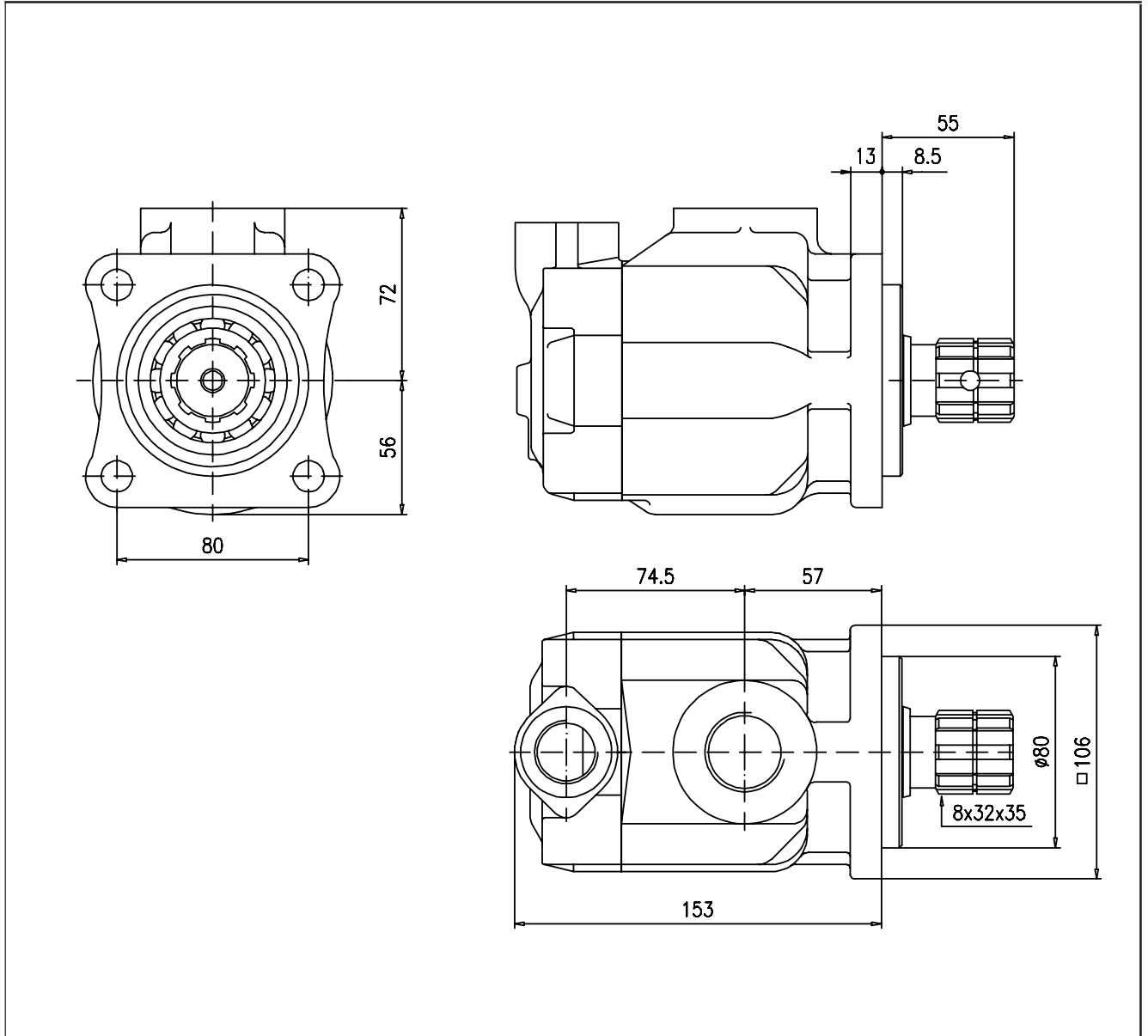
Use high quality mineral hydraulic oil with viscosity at the work-temperature of 3.5 a 6.5^aE. (25 a 49 cSt.)

Filtering:

To obtain a great duration of the pump and the rest circuit elements is necessary to use a 25 micres return filter or finest. In polluted atmospheres, coupling an air-filter is recommended to prevent dirtness in the circuit.



Vane pumps
General dimensions
BP-03

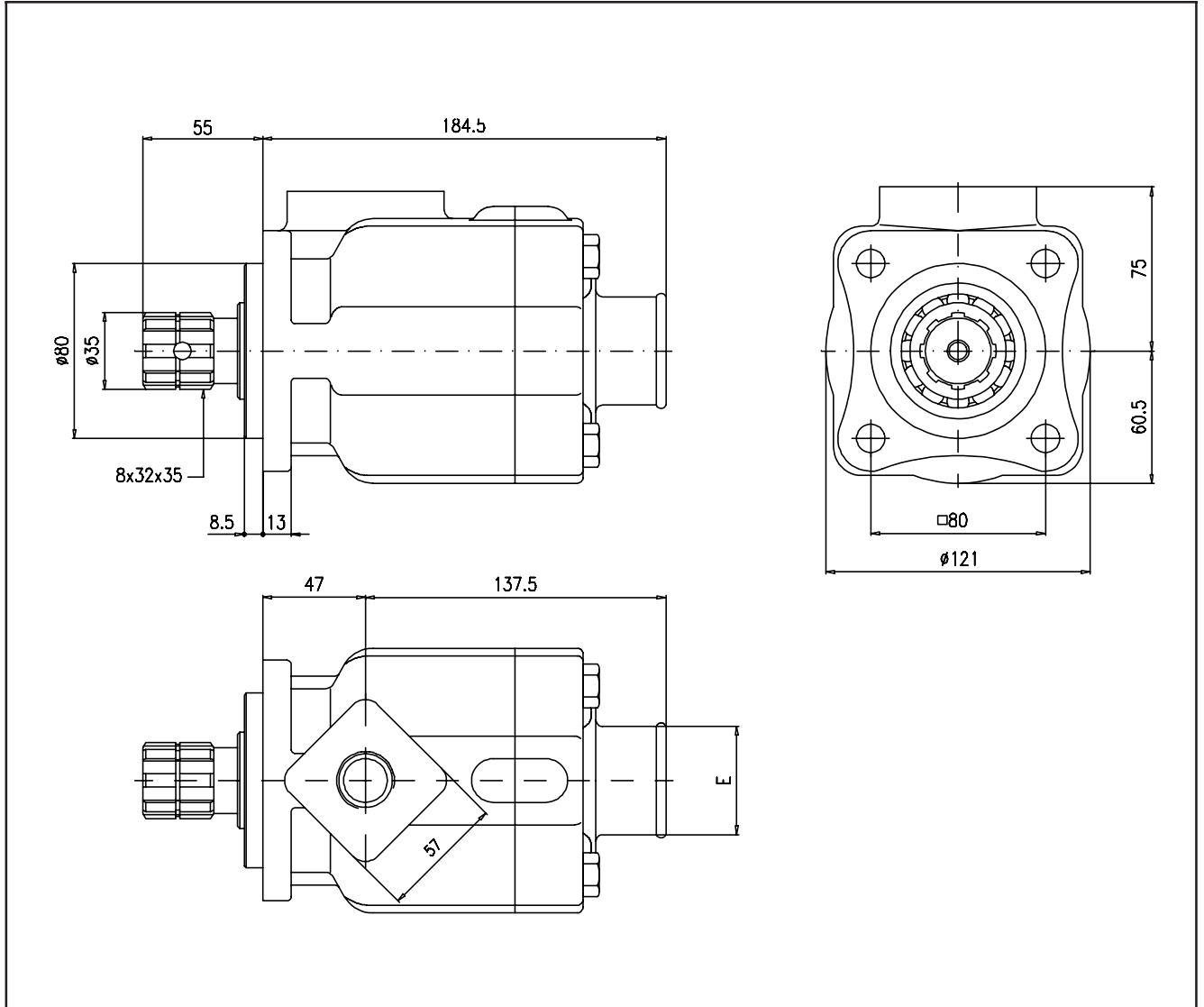


MODEL	FLOW to 1000 rpm	INLET	OUTLET	Maximum speed
BP03-20	19 l. / min.	1" BSP	3/4" BSP	2500 rpm
BP03-25	24 l. / min.	1" BSP	3/4" BSP	2500 rpm
BP03-30	28 l. / min.	1" BSP	3/4" BSP	2500 rpm
BP03-35	34 l. / min.	1" BSP	3/4" BSP	2500 rpm
BP03-40	37 l. / min.	1" BSP	3/4" BSP	2500 rpm
BP03-45	43 l. / min.	1" BSP	3/4" BSP	2000 rpm

5.01.02



Vane pums
General dimensions
BP-04



MODEL	FLOW to 1000 rpm	INLET (E)	OUTLET	Maximum speed
BP04-15	15 l. / min.	31 mm.	1/2" BSP	2500 rpm
BP04-25	25 l. / min.	31 mm.	1/2" BSP	2500 rpm
BP04-40	39 l. / min.	31 mm.	3/4" BSP	2500 rpm
BP04-45	44 l. / min.	31 mm.	3/4" BSP	2500 rpm
BP04-55	54 l. / min.	39,5 mm.	3/4" BSP	2500 rpm
BP04-60	60 l. / min.	39,5 mm.	3/4" BSP	2200 rpm
BP04-65	66 l. / min.	39.5 mm.	3/4" BSP	2200 rpm

5.01.03