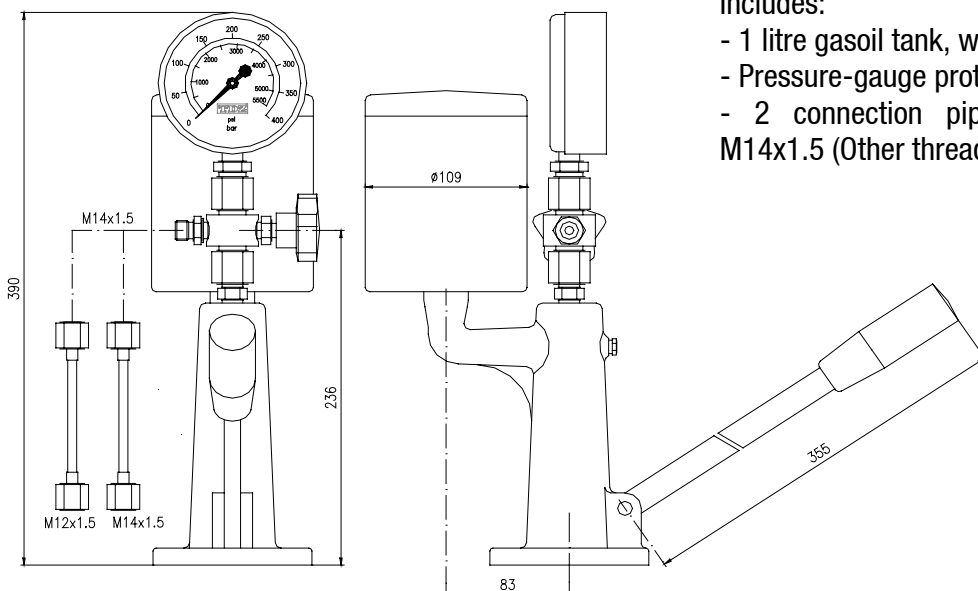




h y d r a u l i c s

Polígono El Borao Norte, 1
50172 Alfajarín (Zaragoza) - Spain
Tel. 34-976790707 Fax 34-976100150
E-Mail sales@tdz.com

INJECTOR TESTER CI-10-403



Maximum pressure: 400 bar-5700 psi.
(Option: 600 bar-8500 psi glycerine gauge)

Includes:

- 1 litre gasoil tank, with paper filter.
- Pressure-gauge protection device.
- 2 connection pipes, threads M12x1.5 and M14x1.5 (Other threads under order)