

SPECIAL VANE PUMPS

Pumps with flow regulating and pressure limiting valves

- **Pumps with valves and tank of 1,5 Ltrs. or 1 Lt. with built-in filter**
- **Pumps with valves and manual flow regulating key**
- **1.5 litres and 1 litre oil tanks with built-in filter**

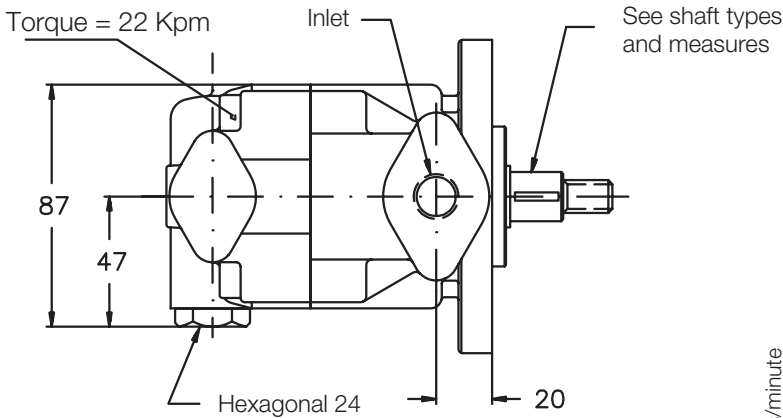
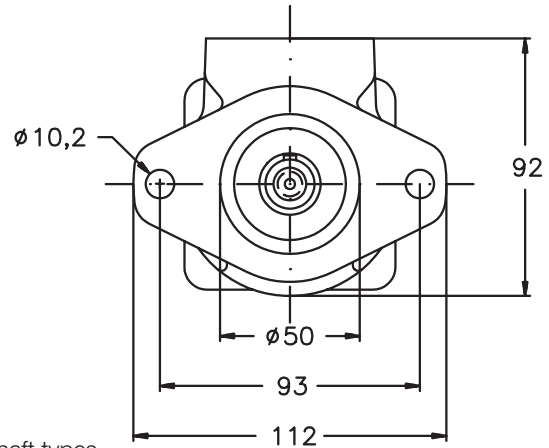
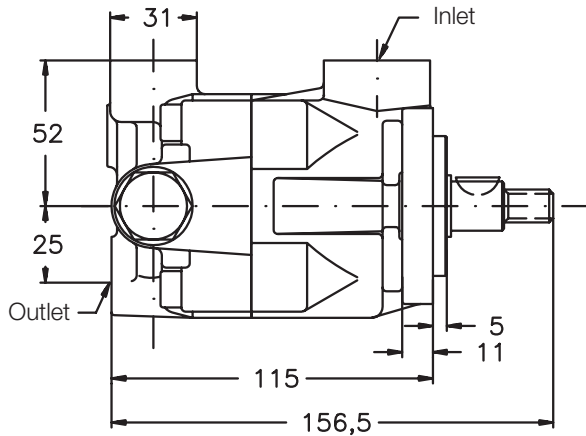
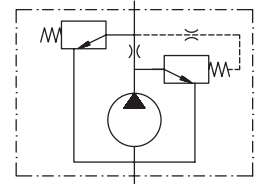
These pumps include in a compact set, one BHP2 vane pump, one pressure limiter valve and one flow regulating pilot valve; being also possible to add an oil tank with paper filter cartridge.

So, in a very small place and at an economical cost almost all necessary elements are available for many simple hydraulic circuits. Flow regulating valve gives constant delivery flow, even with changes in pump rotation speed and load.

B2V SINGLE VANE PUMP WITH VALVE

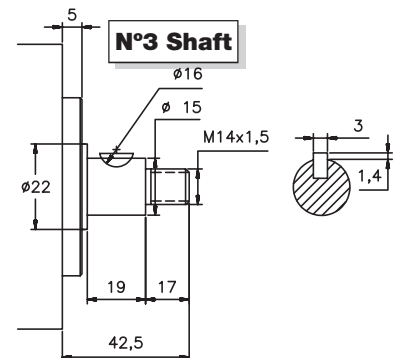
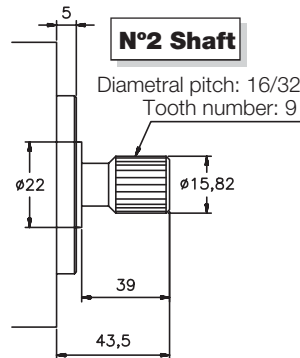
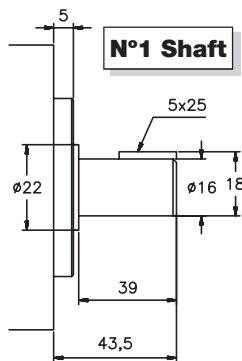
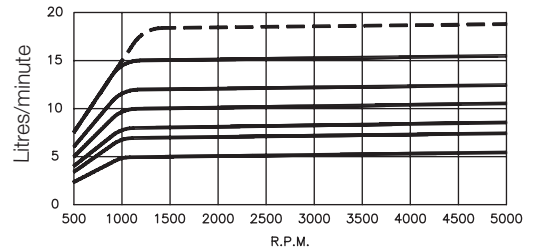
Valves can be adjustable, made to order, as follows:

- Flow: Up to the limit of the pump cartridge.
- Pressure: 15 to 150 Kgs./cm².



DIMENSIONS IN MILLIMETRES
1" = 25.4 millimetres

Continuous line shows those of pumps with outlet port sized to give as maximum the cartridge rated flow.
Broken line is, for instance, of one pump with hole sized to give as maximum flow 18 Ltrs. (In this case cartridge rated flow is 15 ltrs. at 1000 rpm.)

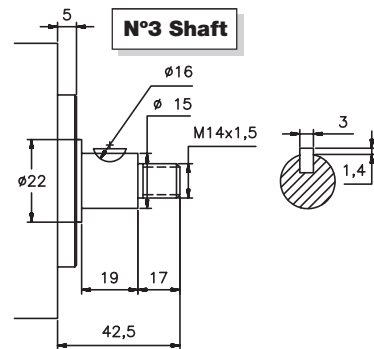
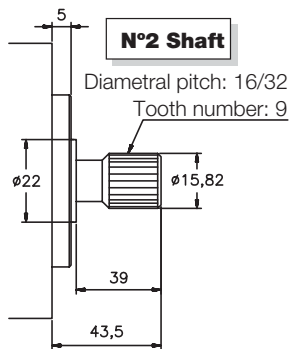
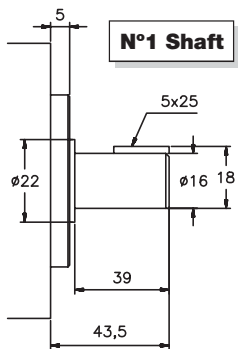
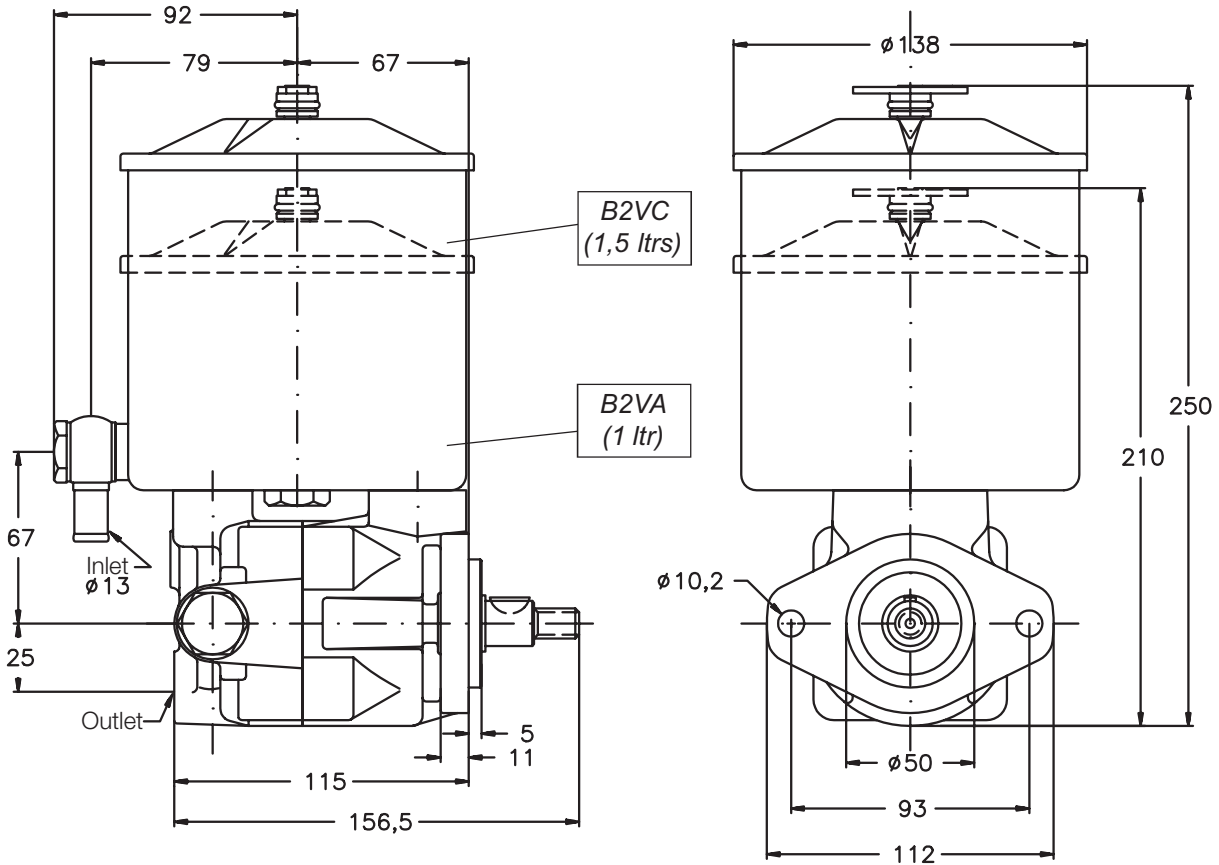
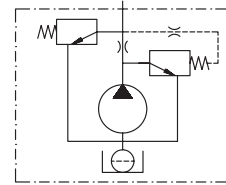


OUTLET	INLET	CARTRIDGES Ltrs./min a 1000 rpm
M12x1,5	M16x1,5	7
M14x1,5	M18x1,5	8
M16x1,5	3/4" BSP	10
3/8" BSP		12
		15

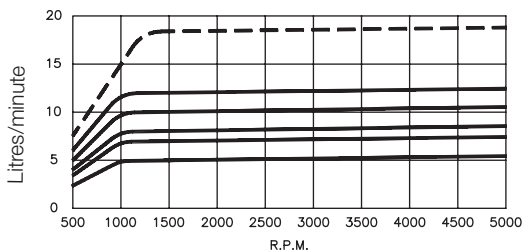
Port sizes are optional.
Any combination can be supplied.

B2VA & B2VC SINGLE VANE PUMP WITH VALVE, TANK AND FILTER

Valves can be adjustable, made to order, as follows:
 - Flow: Up to the limit of the pump cartridge.
 - Pressure: 15 to 150 Kgs./cm².
 Tank includes inside one paper filter cartridge of 25µ



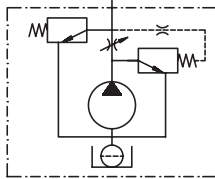
Continuous line shows those of pumps with outlet port sized to give as maximum the cartridge rated flow.
 Broken line is, for instance, of one pump with hole sized to give as maximum flow 18 Ltrs. (In this case cartridge rated flow is 12 Ltrs. at 1000 rpm.)



OUTLET	INLET	CARTRIDGES Ltrs./min a 1000 rpm
M12x1,5	Ø 13	7
M14x1,5		8
M16x1,5		10
3/8" BSP		12
		15

Port sizes are optional. Any combination can be supplied.

SINGLE PUMP WITH VALVES AND MANUAL FLOW REGULATOR

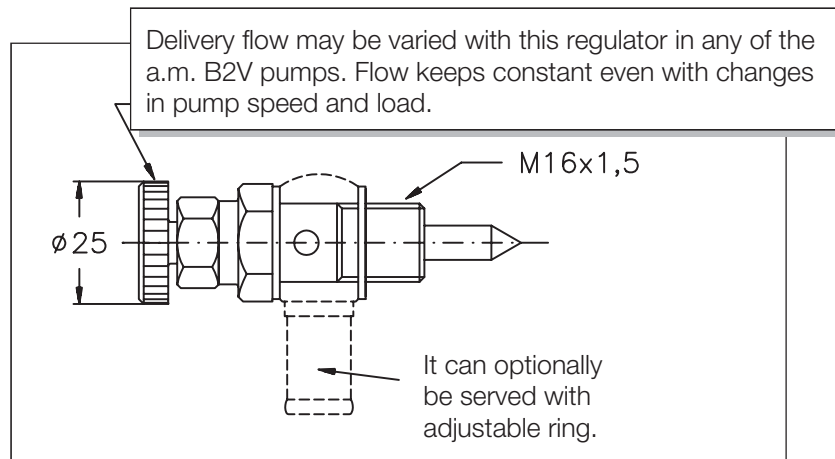
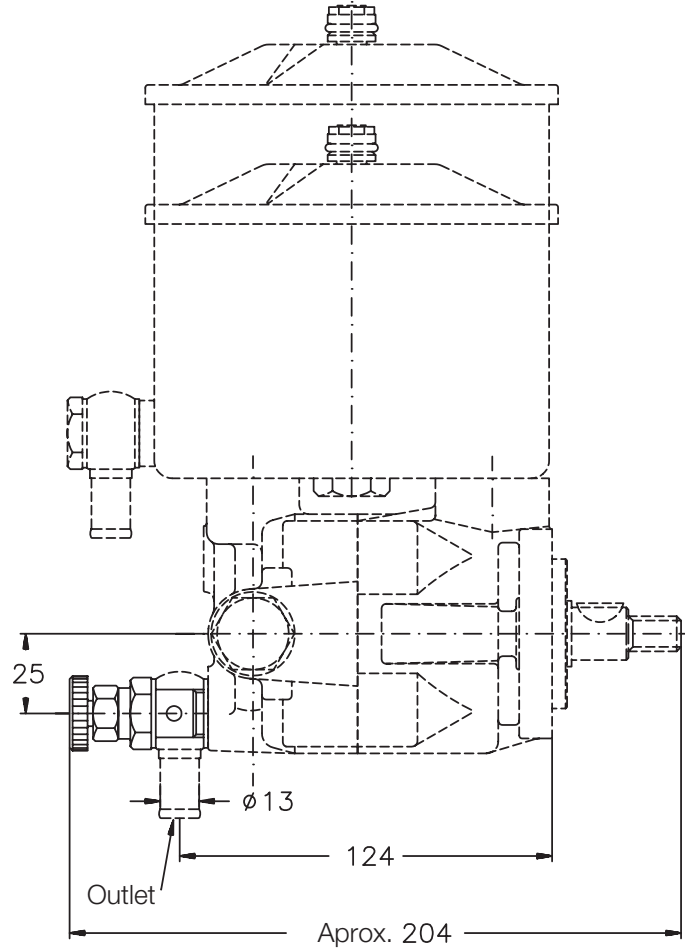
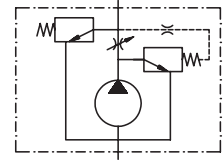


TYPES

B2VRC: Pump with manual flow & pressure regulating valves

B2VARC: Pump with f. & p. valves and 1 Ltr. tank

B2VCRG: Pump with f. & p. regulating valves and 1.5 Ltrs. tank

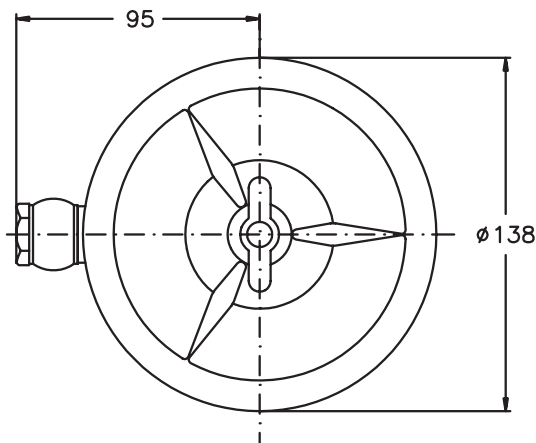
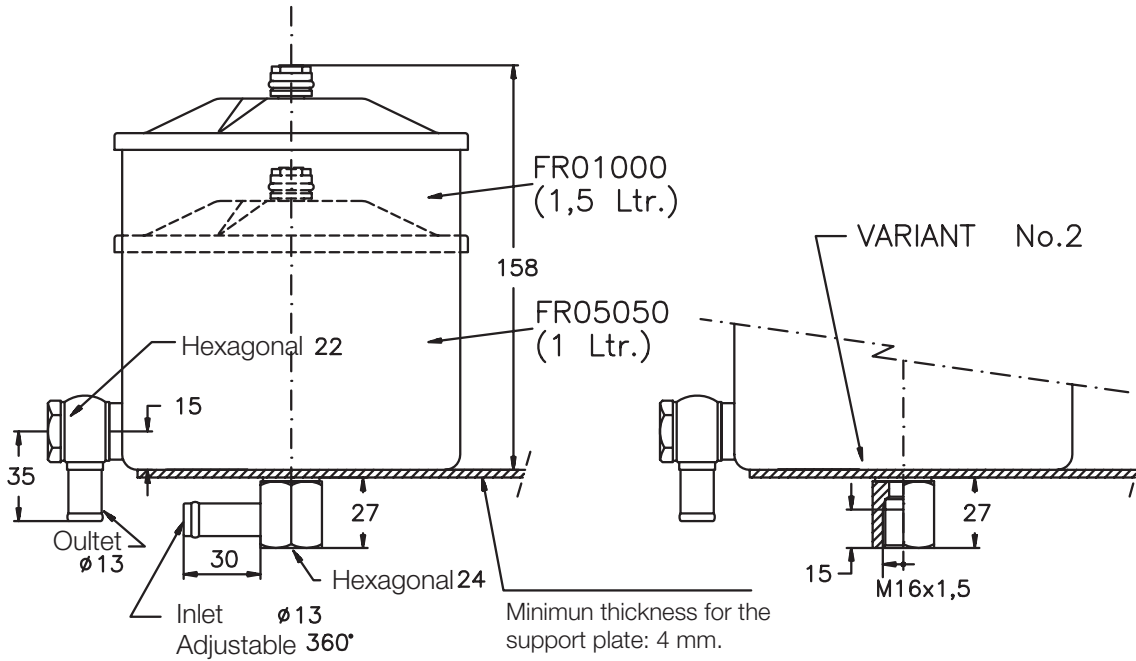


The complete regulator kit can be assembled in any pump with flow regulating valve and outlet of M16 x 1,5.
Order ref.: BV 02401

FR01000 (1.5 LTRS) AND FR05050 (1 LTR) TANK TYPES WITH PAPER FILTER

WITHOUT SUPPORT

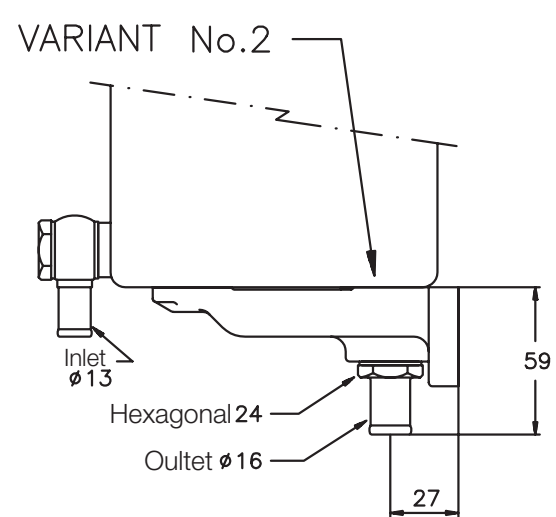
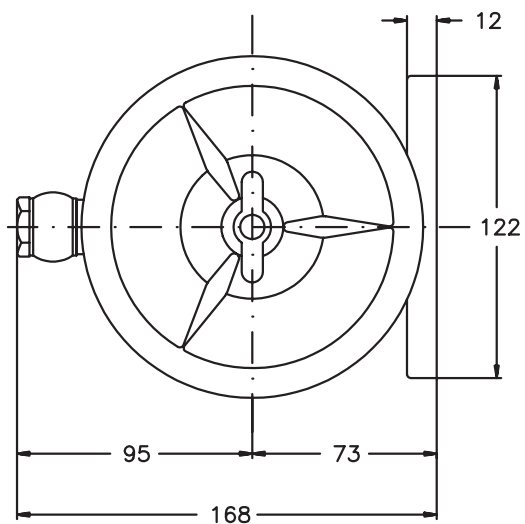
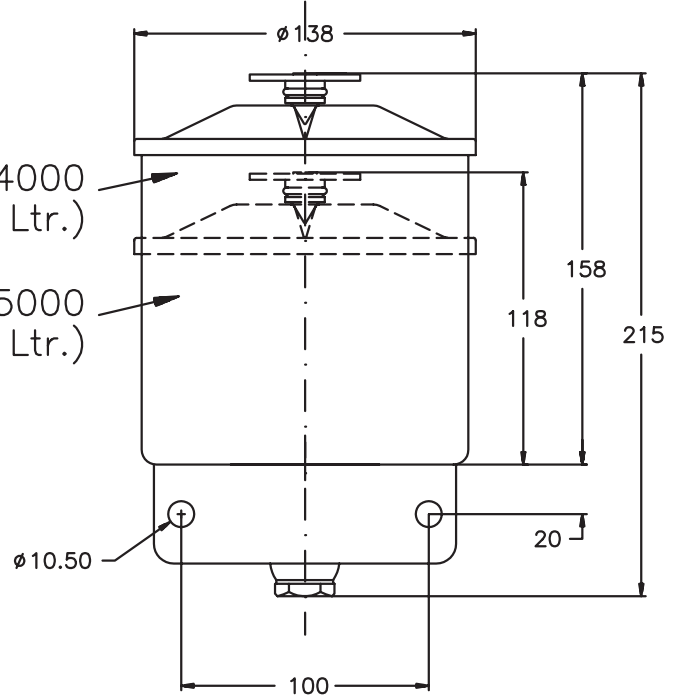
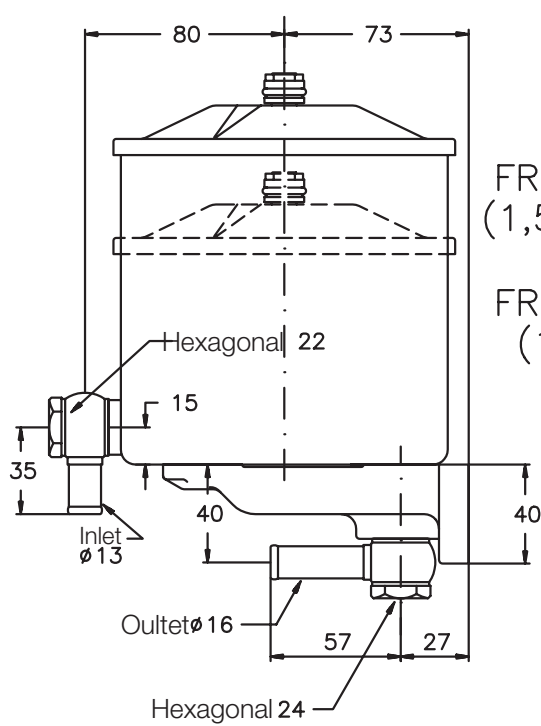
DIMENSIONS IN MILLIMETRES 1" = 25.4 millimetres



Tank includes one inlet paper filter cartridge of 25 μ

FR04000 (1.5 LTRS) AND Fr05000 (1 LTR) TANK TYPES WITH PAPER FILTER

WITH ALUMINIUM SUPPORT



Tank includes one inlet paper filter cartridge of 25 μ