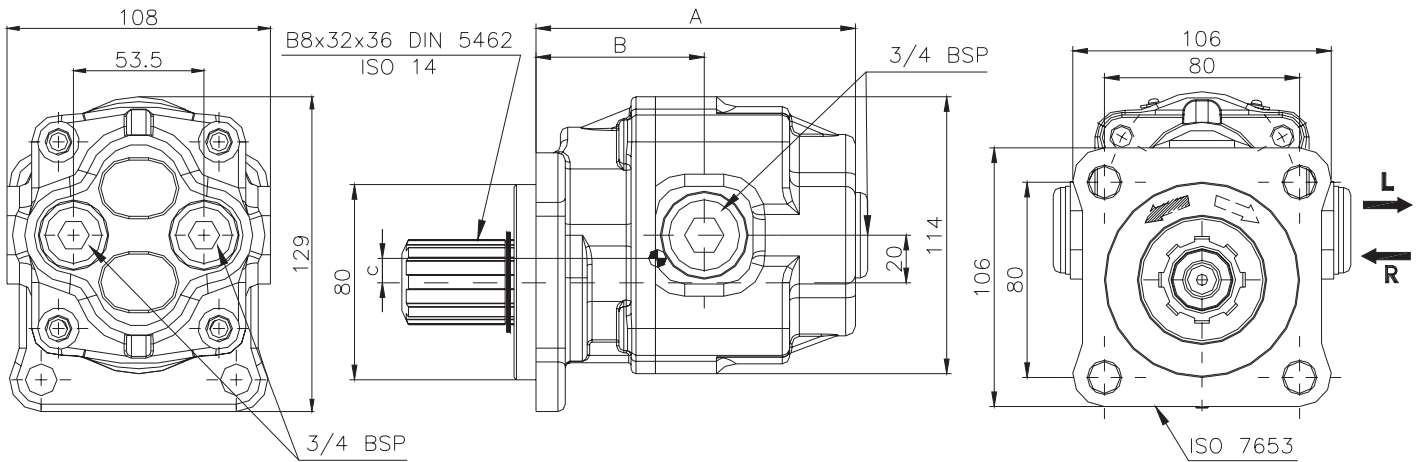




BRE BIDIRECTIONAL GEAR PUMPS

Gear Pump Size 2 ISO Standard



Model	A	B	C
BRE2-15	121	69	16.1
BRE2-20	125	73	16.2
BRE2-25	131	67	16.3
BRE2-30	136	74	16.5
BRE2-35	146	74	16.8
BRE2-40	149	80	16.9
BRE2-45	161	84	17.1

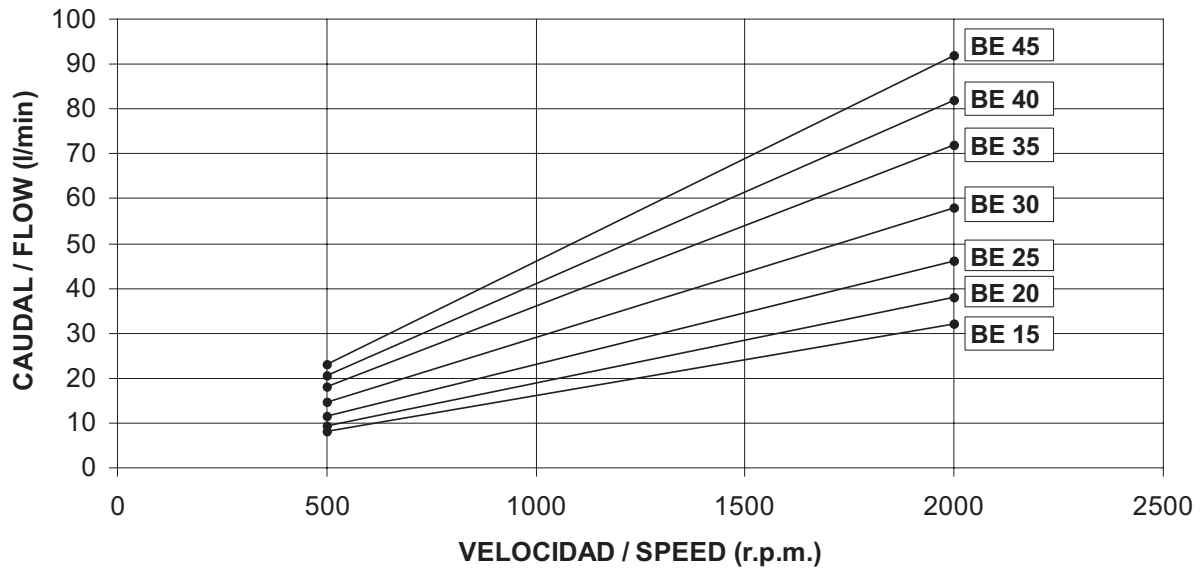
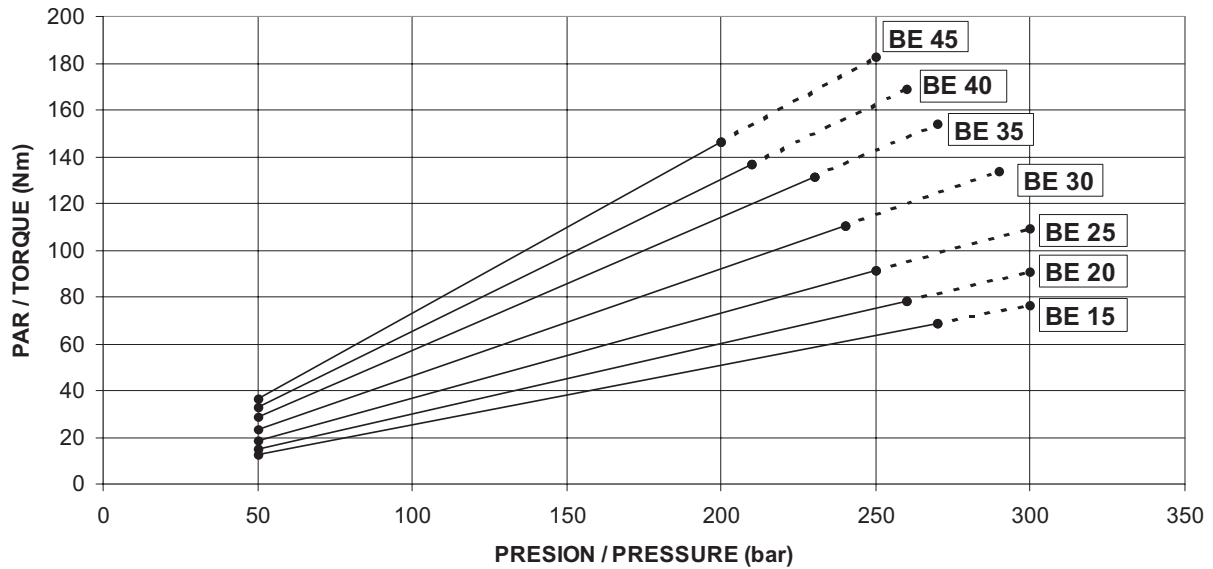
SPECIFICATIONS

Model	Flow at 1.000 r.p.m.	Continuous pressure	Intermittent pressure	Peak pressure	Min. speed	Max. speed	Inlet E	Outlet S	Weight
BRE2-15	16 ltrs./min.	270 Bar	285 Bar	300 Bar	500 rpm	2.000 rpm	3/4" BSP	3/4" BSP	6 Kgs.
BRE2-20	19 ltrs./min.	260 Bar	280 Bar	300 Bar	500 rpm	2.000 rpm	3/4" BSP	3/4" BSP	6.3 Kgs.
BRE2-25	23 ltrs./min.	250 Bar	280 Bar	300 Bar	500 rpm	2.000 rpm	3/4" BSP	3/4" BSP	6.7 Kgs.
BRE2-30	29 ltrs./min.	240 Bar	260 Bar	290 Bar	500 rpm	2.000 rpm	3/4" BSP	3/4" BSP	7.1 Kgs.
BRE2-35	36 ltrs./min.	230 Bar	245 Bar	270 Bar	500 rpm	2.000 rpm	3/4" BSP	3/4" BSP	7.5 Kgs.
BRE2-40	41 ltrs./min.	210 Bar	245 Bar	260 Bar	500 rpm	2.000 rpm	3/4" BSP	3/4" BSP	7.8 Kgs.
BRE2-45	46 ltrs./min.	200 Bar	220 Bar	250 Bar	500 rpm	2.000 rpm	3/4" BSP	3/4" BSP	8.1 Kgs.



BRE BIDIRECTIONAL GEAR PUMPS

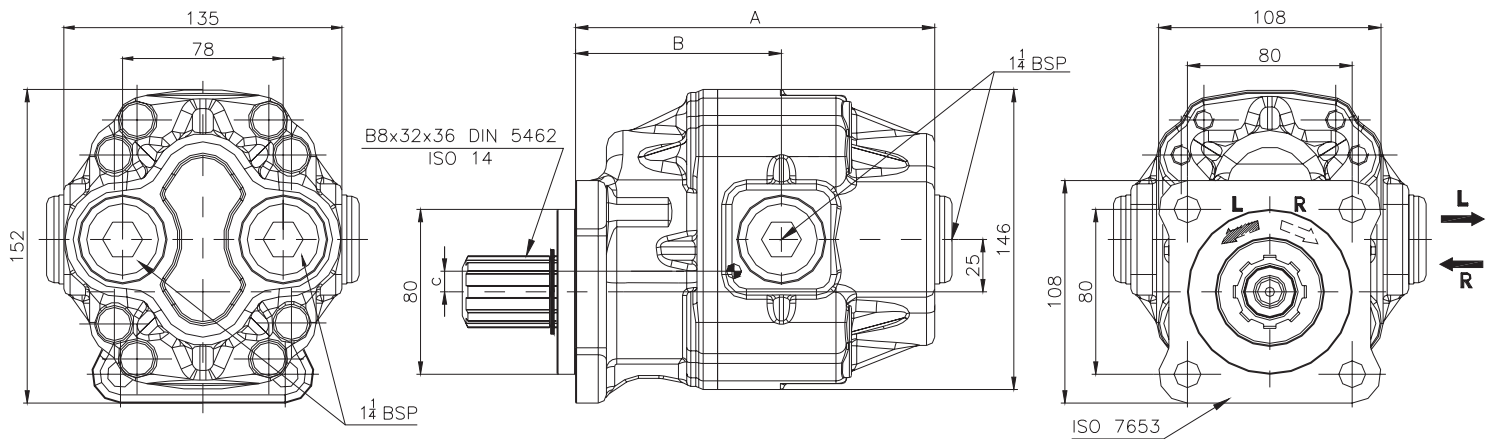
Gear Pump Size 2 ISO Standard





BRE BIDIRECTIONAL GEAR PUMPS

Gear Pump Size 3 ISO Standard



Model	A	B	C
BRE3-50	168	96	21.6
BRE3-60	175	103	21.7
BRE3-70	181	101	21.9
BRE3-80	188	108	22
BRE3-100	201	111	22.3

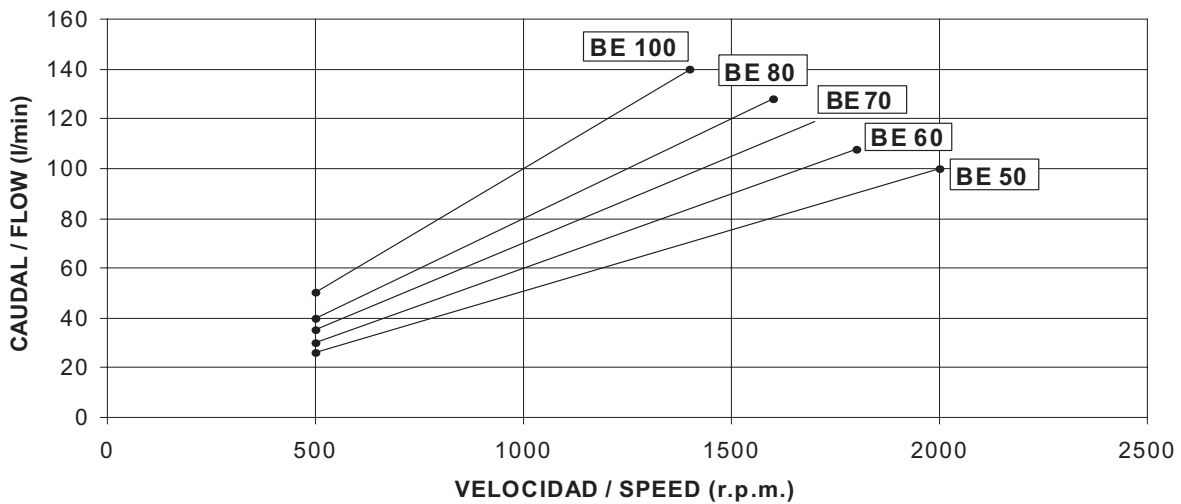
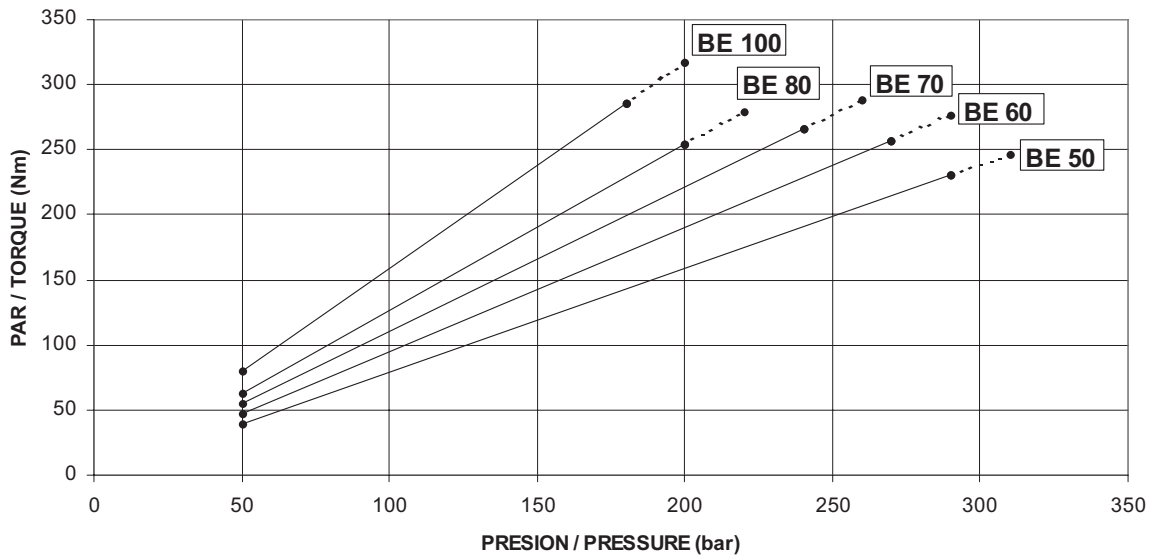
SPECIFICATIONS

Model	Flow at 1.000 r.p.m.	Continuous pressure	Intermittent pressure	Peak pressure	Min. speed	Max. speed	Inlet E	Outlet S	Weight
BRE3-50	50 ltrs./min.	290 Bar	310 Bar	320 Bar	500 rpm	2.000 rpm	1"1/4" BSP	1"1/4" BSP	12.6 Kgs.
BRE3-60	60 ltrs./min.	270 Bar	290 Bar	310 Bar	500 rpm	1.800 rpm	1"1/4" BSP	1"1/4" BSP	13.3 Kgs.
BRE3-70	70 ltrs./min.	240 Bar	265 Bar	280 Bar	500 rpm	1.700 rpm	1"1/4" BSP	1"1/4" BSP	14 Kgs.
BRE3-80	80 ltrs./min.	200 Bar	215 Bar	230 Bar	500 rpm	1.600 rpm	1"1/4" BSP	1"1/4" BSP	14.7 Kgs.
BRE3-100	100 ltrs./min.	180 Bar	195 Bar	210 Bar	500 rpm	1.400 rpm	1"1/4" BSP	1"1/4" BSP	16.1 Kgs.



BRE BIDIRECTIONAL GEAR PUMPS

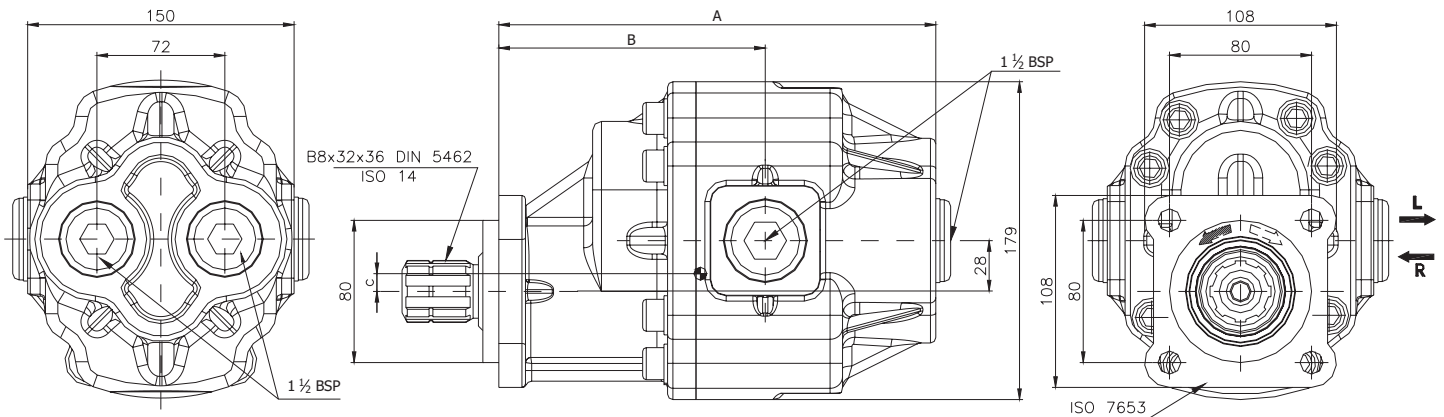
Gear Pump Size 3 ISO Standard





BRE BIDIRECTIONAL GEAR PUMPS

Gear Pump Size 4 ISO Standard



Model	A	B	C
BRE4-85	228	142.5	23.1
BRE4-100	234	148.5	23.5
BRE4-115	240	144	23.9
BRE4-130	246	150	24.3
BRE4-150	253	155	24.7

SPECIFICATIONS

Model	Flow at 1.000 r.p.m.	Continuous pressure	Intermittent pressure	Peak pressure	Min. speed	Max. speed	Inlet E	Outlet S	Weight
BRE4-85	88 ltrs./min.	250 Bar	270 Bar	290 Bar	500 rpm	2.000 rpm	1"1/2"BSP	1"1/2"BSP	20.2 Kgs.
BRE4-100	103 ltrs./min.	250 Bar	270 Bar	290 Bar	500 rpm	1.800 rpm	1"1/2"BSP	1"1/2"BSP	21.2 Kgs.
BRE4-115	118 ltrs./min.	250 Bar	265 Bar	290 Bar	500 rpm	1.500 rpm	1"1/2"BSP	1"1/2"BSP	21.5 Kgs.
BRE4-130	132 ltrs./min.	230 Bar	255 Bar	270 Bar	500 rpm	1.300 rpm	1"1/2"BSP	1"1/2"BSP	22.4 Kgs.
BRE4-150	147 ltrs./min.	210 Bar	230 Bar	250 Bar	500 rpm	1.200 rpm	1"1/2"BSP	1"1/2"BSP	23.4 Kgs.



BRE BIDIRECTIONAL GEAR PUMPS

Gear Pump Size 4 ISO Standard

