



# **BRT Gear Pumps**





## BRT GEAR PUMPS

### BRT GEAR PUMPS

Over many years, Hidraulica Fher S.A., within TDZ Hydraulics group, has supplied gear pumps for mobile market, specially for truck applications, where ISO and UNI standards make easier the direct connection to European style truck power take off's.

Since the last few years, Hidraulica FHER may supply SAE flange and shaft mounting, both in single and double configuration, in order to accommodate our products to the American orientated truck and PTO's market.

BRT pumps are unidirectional. Rotation direction changing is possible modifying the position of some parts. Ask us for rotation change instructions.

BRT gear pumps are available in 3 and 4 sizes and several flows in order to cover a wide range of applications.

The robust cast iron bodies are manufactured to close tolerances for maximum efficiency at rated operating speeds and pressures.

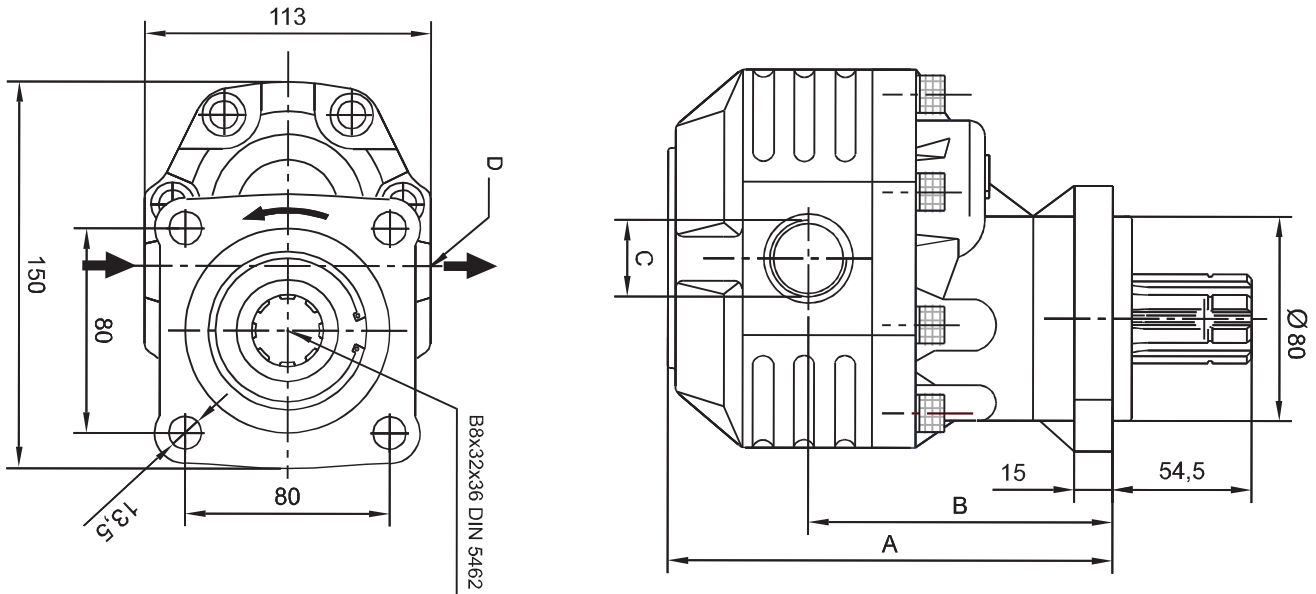
The BRT series high efficiency/high pressure pump has been designed to be compatible with those hydraulic applications requiring high pressure and high flow. BRT gear pumps offer highly efficient performance.

Seven flow rates are available in BRT3 series: 17, 27, 34, 43, 51, 61 and 82 c.c./rev and six flow rates in BRT4 series: 63, 73, 87, 109, 133 and 151 c.c./rev.

Peak Pressures up to 315 bar in small flows of BRT3 and 250 bar-220 bar in high flows of same series can be achieved. BRT4 is a more robust design and same pressures of 315 bar can be reached starting in high flows.

Both series, BRT3 and BRT4 are built in ISO and UNI standards

### Gear Pump Size 3 ISO Standard



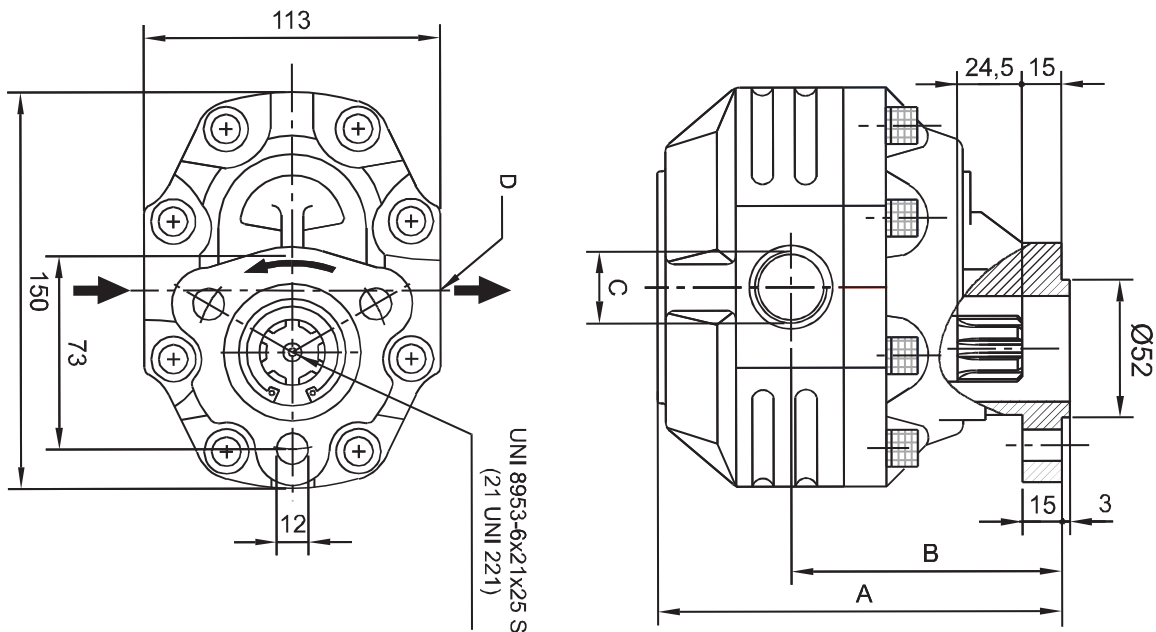
Model	A	B
BRT3*17	163,5	114
BRT3*27	171,5	117,5
BRT3*34	174,5	119,5
BRT3*43	182,5	123
BRT3*51	187,5	124,5
BRT3*61	188,5	127
BRT3*82	203,5	133,5

### SPECIFICATIONS

Model	Flow at 1.000 r.p.m.	Continuous pressure	Intermittent pressure	Peak pressure	Continuous speed	Peak speed	Inlet E	Outlet S	Weight
BRT3*17	17,15 ltrs./min.	290 Bar	315 Bar	315 Bar	2.100 rpm	2.800 rpm	1/2" BSP	1/2" BSP	10,5 Kgs.
BRT3*27	26,5 ltrs./min.	290 Bar	315 Bar	315 Bar	2.100 rpm	2.800 rpm	3/4" BSP	3/4" BSP	10,9 Kgs.
BRT3*34	34,3 ltrs./min.	280 Bar	300 Bar	300 Bar	1.800 rpm	2.600 rpm	3/4" BSP	3/4" BSP	11,4 Kgs.
BRT3*43	43,65 ltrs./min.	270 Bar	290 Bar	290 Bar	1.800 rpm	2.300 rpm	1" BSP	3/4" BSP	12 Kgs.
BRT3*51	51,4 ltrs./min.	240 Bar	260 Bar	260 Bar	1.800 rpm	2.300 rpm	1" BSP	1" BSP	12,5 Kgs.
BRT3*61	60,8 ltrs./min.	220 Bar	240 Bar	240 Bar	1.400 rpm	1.800 rpm	1" BSP	1" BSP	13 Kgs.
BRT3*82	81,05 ltrs./min.	190 Bar	210 Bar	210 Bar	1.400 rpm	1.800 rpm	1"1/4" BSP	1" BSP	13,8 Kgs.

\* Pump direction 0: Clockwise, 1: Anticlockwise

### Gear Pump Size 3 UNI Standard



Model	A	B
BRT3*17	151,5	102
BRT3*27	159,5	105,5
BRT3*34	162,5	107,5
BRT3*43	170,5	111
BRT3*51	175,5	112,5
BRT3*61	176,5	115
BRT3*82	191,5	121,5

### SPECIFICATIONS

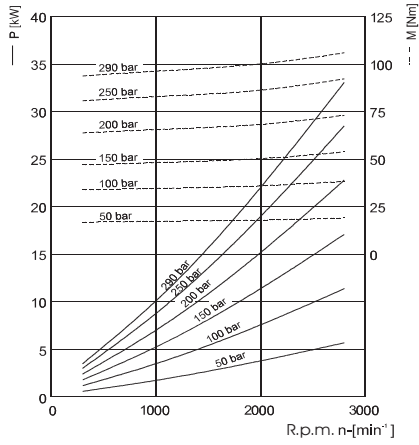
Model	Flow at 1.000 r.p.m.	Continuous pressure	Intermittent pressure	Peak pressure	Continuous speed	Peak speed	Inlet E	Outlet S	Weight
BRT3*17	17,15 ltrs./min.	290 Bar	315 Bar	315 Bar	2.100 rpm	2.800 rpm	1/2" BSP	1/2" BSP	8,5 Kgs.
BRT3*27	26,5 ltrs./min.	290 Bar	315 Bar	315 Bar	2.100 rpm	2.800 rpm	3/4" BSP	3/4" BSP	9 Kgs.
BRT3*34	34,3 ltrs./min.	280 Bar	300 Bar	300 Bar	1.800 rpm	2.600 rpm	3/4" BSP	3/4" BSP	9,5 Kgs.
BRT3*43	43,65 ltrs./min.	270 Bar	290 Bar	290 Bar	1.800 rpm	2.300 rpm	1" BSP	3/4" BSP	10 Kgs.
BRT3*51	51,4 ltrs./min.	240 Bar	260 Bar	260 Bar	1.800 rpm	2.300 rpm	1" BSP	1" BSP	10,5 Kgs.
BRT3*61	60,8 ltrs./min.	220 Bar	240 Bar	240 Bar	1.400 rpm	1.800 rpm	1" BSP	1" BSP	11 Kgs.
BRT3*82	81,05 ltrs./min.	190 Bar	210 Bar	210 Bar	1.400 rpm	1.800 rpm	1"1/4" BSP	1" BSP	11,6 Kgs.

\* Pump direction 2: Clockwise, 3: Anticlockwise

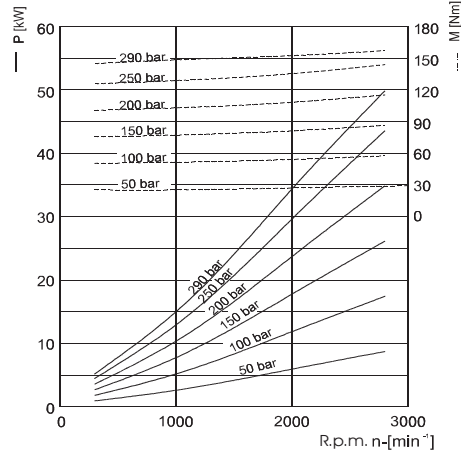


# BRT GEAR PUMPS

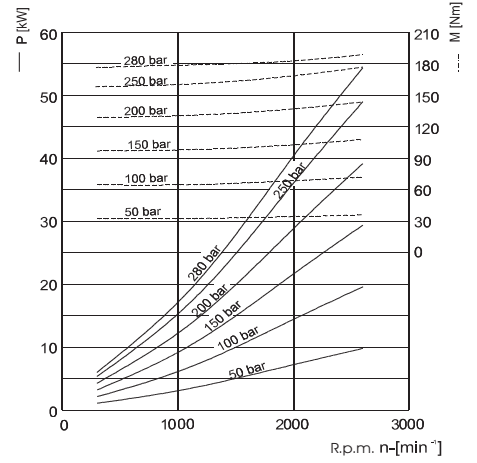
## BRT3\*17



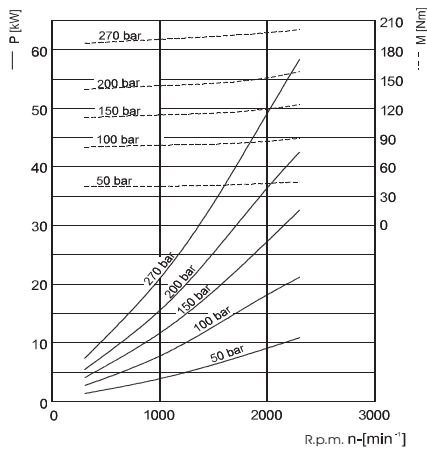
## BRT3\*27



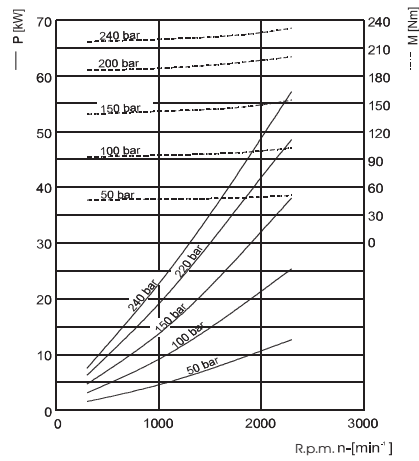
## BRT3\*34



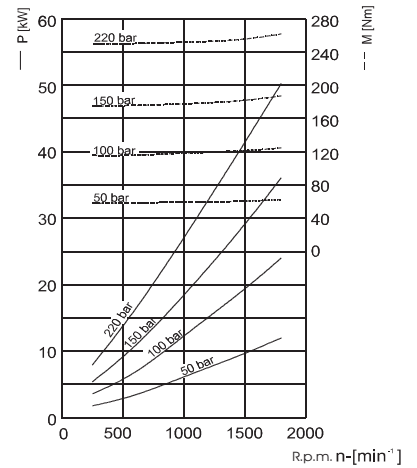
## BRT3\*43



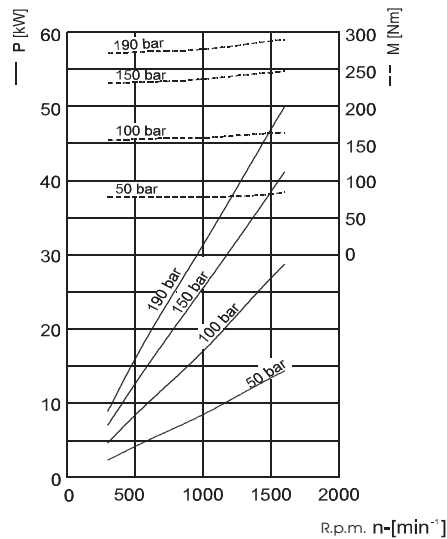
## BRT3\*51



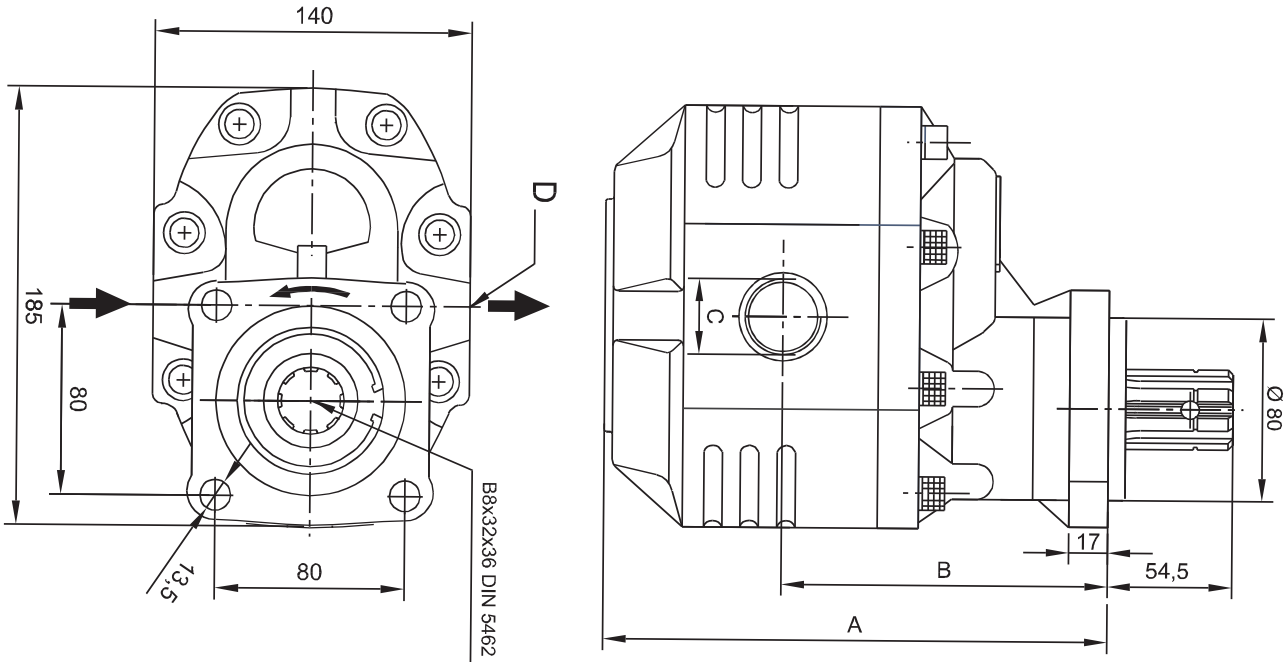
## BRT3\*61



## BRT3\*82



### Gear Pump Size 4 ISO Standard



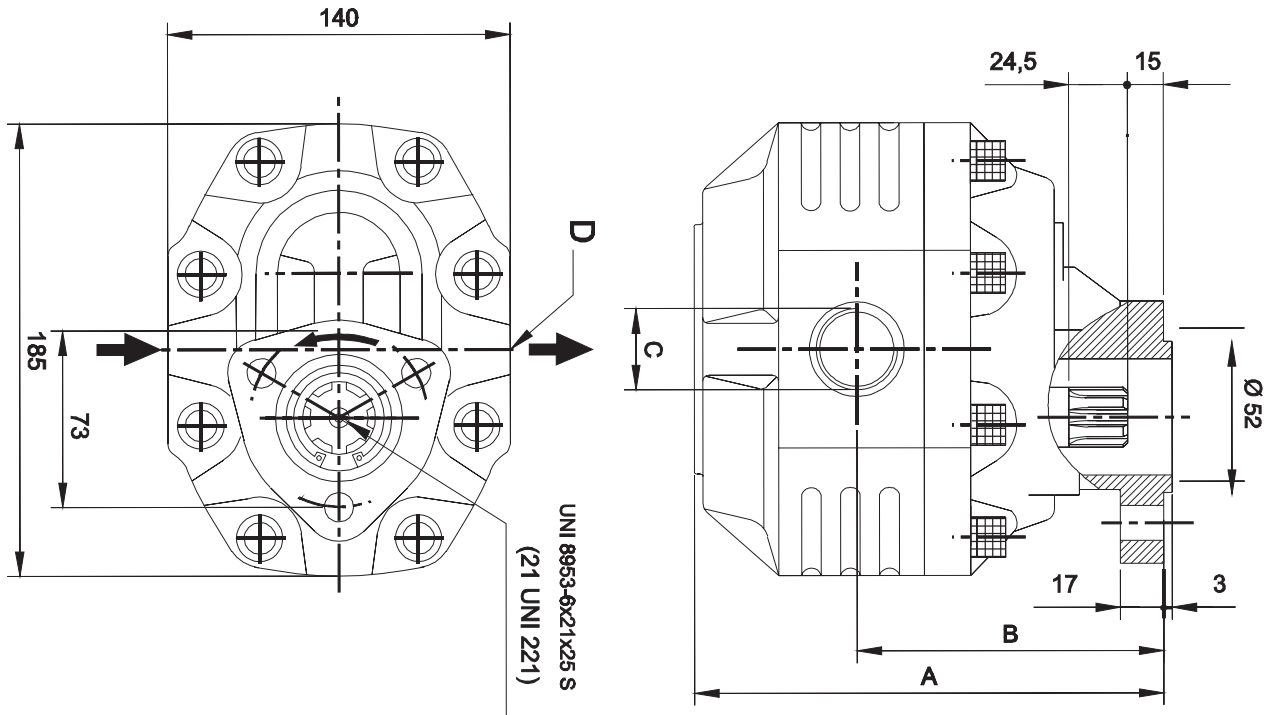
Model	A	B
BRT4*63	201	135
BRT4*73	204	137
BRT4*87	210	141
BRT4*109	217	145
BRT4*133	227	149
BRT4*151	234	151,5

### SPECIFICATIONS

Model	Flow at 1.000 r.p.m.	Continuous pressure	Intermittent pressure	Peak pressure	Continuous speed	Peak speed	Inlet E	Outlet S	Weight
BRT4*63	60,6 ltrs./min.	290 Bar	315 Bar	315 Bar	1.700 rpm	2.600 rpm	1" BSP	3/4" BSP	16,3 Kgs.
BRT4*73	71,7 ltrs./min.	280 Bar	300 Bar	300 Bar	1.700 rpm	2.600 rpm	1" BSP	3/4" BSP	16,8 Kgs.
BRT4*87	85,5 ltrs./min.	260 Bar	280 Bar	280 Bar	1.700 rpm	2.600 rpm	1"1/4" BSP	1" BSP	17,3 Kgs.
BRT4*10	107,5 ltrs./min.	240 Bar	260 Bar	260 Bar	1.700 rpm	2.600 rpm	1"1/4" BSP	1" BSP	18,5 Kgs.
BRT4*13	132,4 ltrs./min.	220 Bar	250 Bar	250 Bar	1.400 rpm	2.600 rpm	1"1/4" BSP	1" BSP	19,8 Kgs.
BRT4*15	148,9 ltrs./min.	180 Bar	210 Bar	210 Bar	1.400 rpm	2.400 rpm	1"1/4" BSP	1" BSP	20,3 Kgs.

\* Pump direction 0: Clockwise, 1: Anticlockwise

### Gear Pump Size 4 UNI Standard



Model	A	B
BRT4*63	190,5	124,5
BRT4*73	193,5	126,5
BRT4*87	199,5	130,5
BRT4*109	206,5	134,5
BRT4*133	216,5	138,5
BRT4*151	223,5	141

### SPECIFICATIONS

Model	Flow at 1.000 r.p.m.	Continuous pressure	Intermitent pressure	Peak pressure	Continuous speed	Peak speed	Inlet E	Outlet S	Weight
BRT4*63	60,6 ltrs./min.	290 Bar	315 Bar	315 Bar	1.700 rpm	2.600 rpm	1" BSP	3/4" BSP	16,1 Kgs.
BRT4*73	71,7 ltrs./min.	280 Bar	300 Bar	300 Bar	1.700 rpm	2.600 rpm	1" BSP	3/4" BSP	16,5 Kgs.
BRT4*87	85,5 ltrs./min.	260 Bar	280 Bar	280 Bar	1.700 rpm	2.600 rpm	1"1/4" BSP	1" BSP	17 Kgs.
BRT4*10	107,5 ltrs./min.	240 Bar	260 Bar	260 Bar	1.700 rpm	2.600 rpm	1"1/4" BSP	1" BSP	18 Kgs.
BRT4*13	132,4 ltrs./min.	220 Bar	250 Bar	250 Bar	1.400 rpm	2.600 rpm	1"1/4" BSP	1" BSP	19,5 Kgs.
BRT4*15	148,9 ltrs./min.	180 Bar	210 Bar	210 Bar	1.400 rpm	2.400 rpm	1"1/4" BSP	1" BSP	20 Kgs.

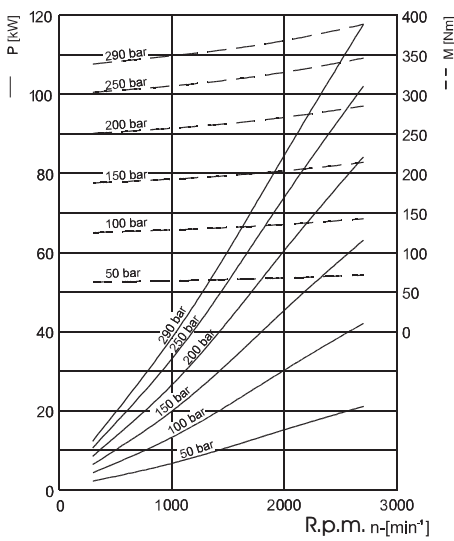
\* Pump direction 2: Clockwise, 3: Anticlockwise



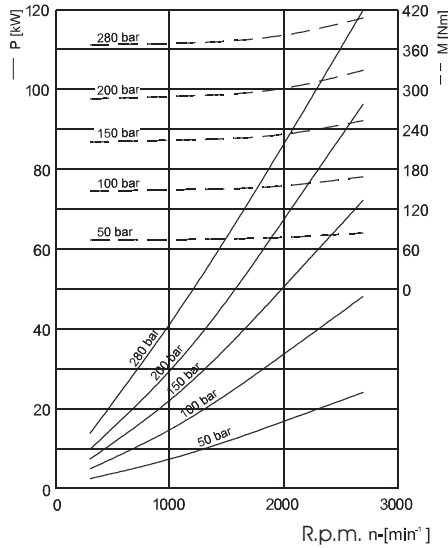


# BRT GEAR PUMPS

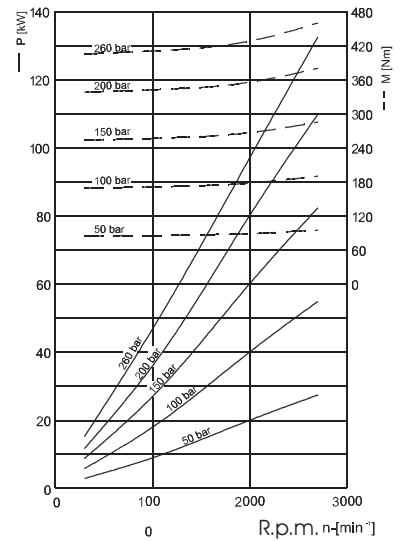
## BRT4\*63



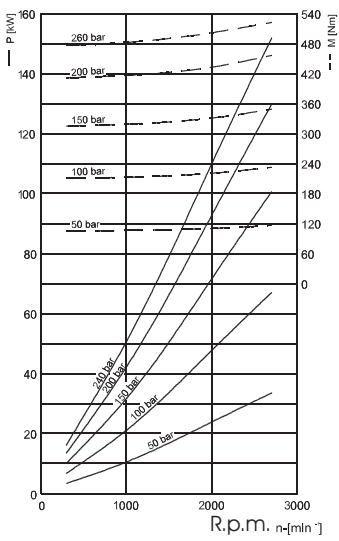
## BRT4\*73



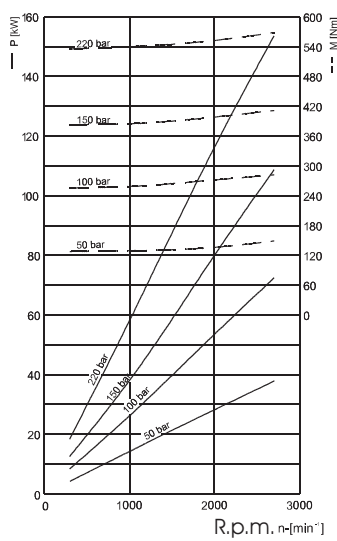
## BRT4\*87



## BRT4\*10



## BRT4\*13



## BRT4\*15

